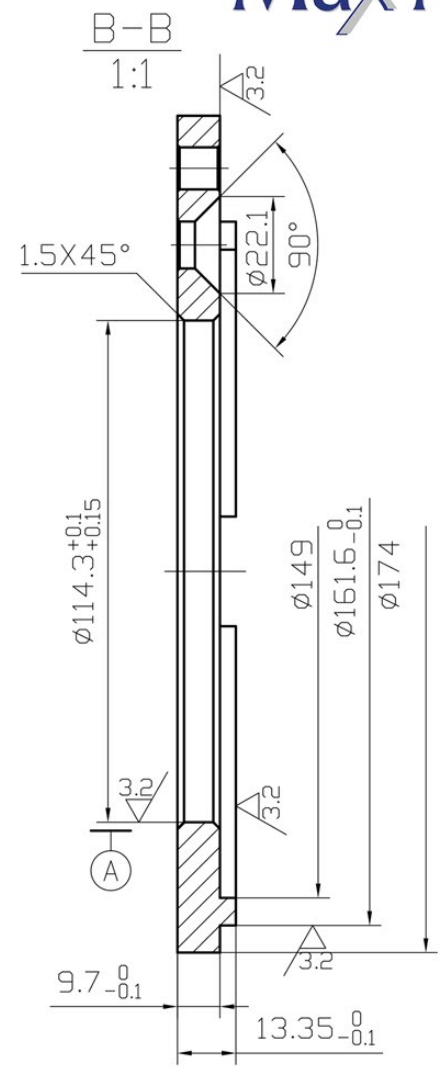
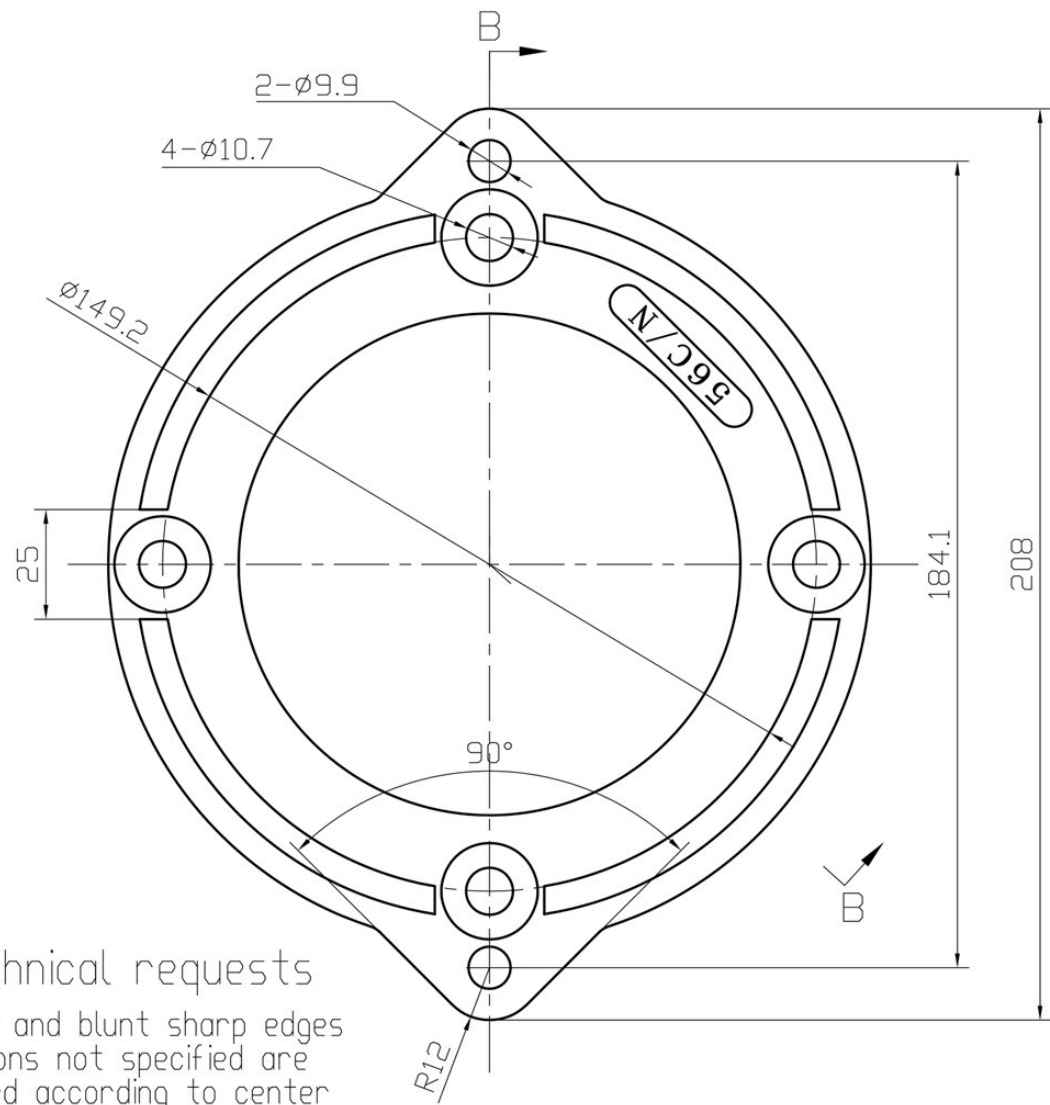
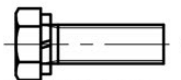
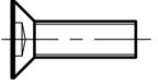


Version:2HUA	Revised: July 2020	HP	RPM	FRAME	ENCLOSURE
Customer is responsible in determining that MaxMotion product will fit/perform suitably in the intended application		1/3	1800	56C	TEFC

MPR-134CH



technical requests
 deburr and blunt sharp edges
 dimensions not specified are
 machined according to center
 symmetry

<p>ITEM #:56C/N</p>	 <p>5/16-18UNCx1-1/4 With Spring Washer Galvanized 2 PCS</p>	 <p>3/8-16UNCx1 Blackening 4 PCS</p>
----------------------------	---	---